

OWNER'S MANUAL TRIUMPH THRUXTON

294B-250-350-THR



RAZOR
SHOCK ABSORBER

CONTENTS

Page 2	Introduction
Page 3-4	Adjustment
Page 5	Fitting the shock
Page 6-7	Settings/ Service/ Notes

INTRODUCTION

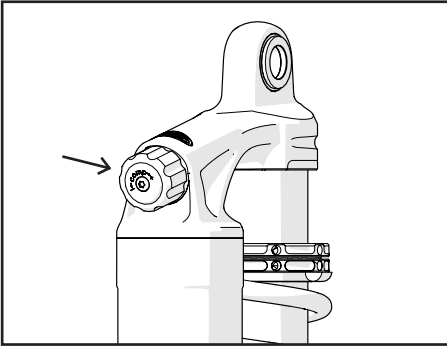
Multiple adjustment, improved control, refinement and awesome looks make K-Tech Razor shocks a leap beyond standard equipment.

The Razor range of shock absorbers are available in multiple lengths with up to 4 way adjustability allowing you to customise your motorcycle for looks and riding style.

- Increased comfort and control
- 4 way adjustability
- Nitrogen Filled (N²)
- Anodised black finish
- Optional spring rates

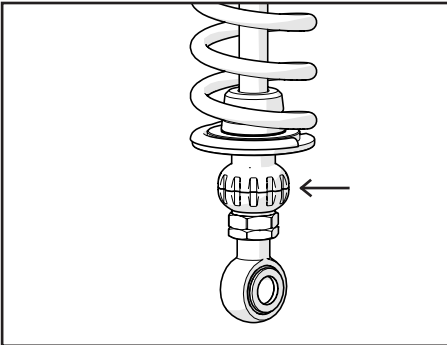
K-Tech Suspension Ltd products are manufactured to fit specific brands and models. Under no circumstances should any K-Tech Suspension Ltd products be fitted to an application other than that for which it has been designed, tested and manufactured.

ADJUSTMENT



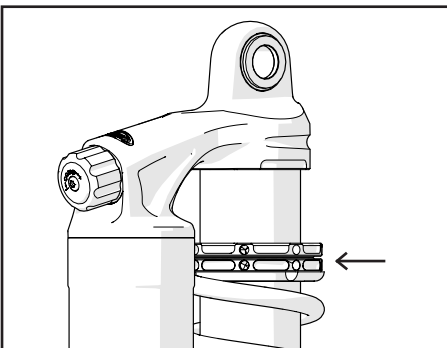
Compression damping:-

Black Adjuster Knob:- 30 clicks adjustment range. All settings should be made from the fully closed (Clockwise Position).



Rebound damping:-

Bottom Adjuster Wheel:- 32 clicks adjustment range. All settings should be made from the fully closed (Clockwise Position).



Spring preload:-

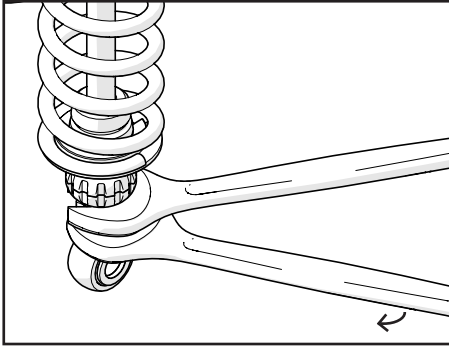
Adjust with black collars at the top of the main spring.

To adjust, unscrew the top collar (anticlockwise). Then turn the bottom collar to the needed preload (1 turn = 1.5mm).



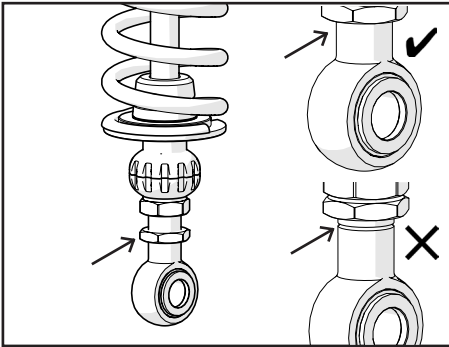
Then secure by tightening the top collar back onto the bottom collar (clockwise).

ADJUSTMENT



Shock length:-

To adjust the shock length loosen the silver lock nut at the bottom of the shock with a 22mm open ended spanner whilst holding the rod joiner (black 22mm hex) with another spanner.

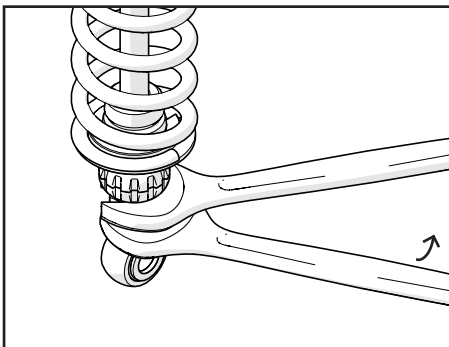


Shock length:-

Turn the end eye assembly until you get the desired length.
(1 turn = 1mm adjustment.)



Make sure you cannot see the groove on the thread.



Shock length:-

When you have changed the shock length wind the silver lock nut up to the black rod joiner and torque to 30Nm.

FITTING THE SHOCK

This procedure should only be carried out by a qualified motorcycle technician. K-Tech Suspension Ltd will not be liable for any damages caused in any way to/ by the product and any injuries sustained if the product is fitted by someone who is neither an authorised dealer of K-Tech Suspension Ltd or have the relevant qualifications in motorcycle technology. K-Tech Suspension Ltd will also not be liable if the correct tools are not used throughout the process of fitting and adjustment of a K-Tech suspension Ltd product. Please refer to the manufacturer's workshop manual before attempting this procedure. This procedure will require two people, you will need to remove all relevant bodywork and any other parts that may restrict you from carrying out this task.

Place and secure the motorcycle on an appropriate stand so that the rear wheel is approximately 5cm off the ground. Loosen top and bottom mounting bolts on the standard shocks. Remove the standard shock absorber from the bike, it may be necessary to slightly move the rear wheel up and down when doing this. Fit the K-Tech shock absorbers to the bike and install the top and bottom mounting bolts. Use the motorcycle manufacturer's specification to get the required torque setting of the bolts.

Take a slow test ride to make sure everything is correct.

RAZOR SHOCK ABSORBER

SETTINGS

RECOMMENDED:	
Shock length	350 (-4/+6)mm
Shock stroke	85mm
Spring Rate	18.27N/m
Spring Preload	15mm
Comp damping (Black)	14 Clicks Out
Reb damping (Natural)	16 Clicks Out
Gas Pressure	10 bar

SERVICE

K-Tech Suspension Ltd recommend that this product is serviced every 10,000 miles of use. It is very important that this product is serviced by an authorised dealer, as there are special tools required to guarantee correct performance of this product. K-Tech Suspension Ltd cannot be held responsible for any damage caused to/by the product if a service is overdue or was not conducted by an authorised dealer.

www.ktechsuspension.com/service-centres-and-partners

NOTES



www.ktechsuspension.com

Contact your local K-Tech dealer for more details at
www.ktechsuspension.com/service-centres-and-partners